

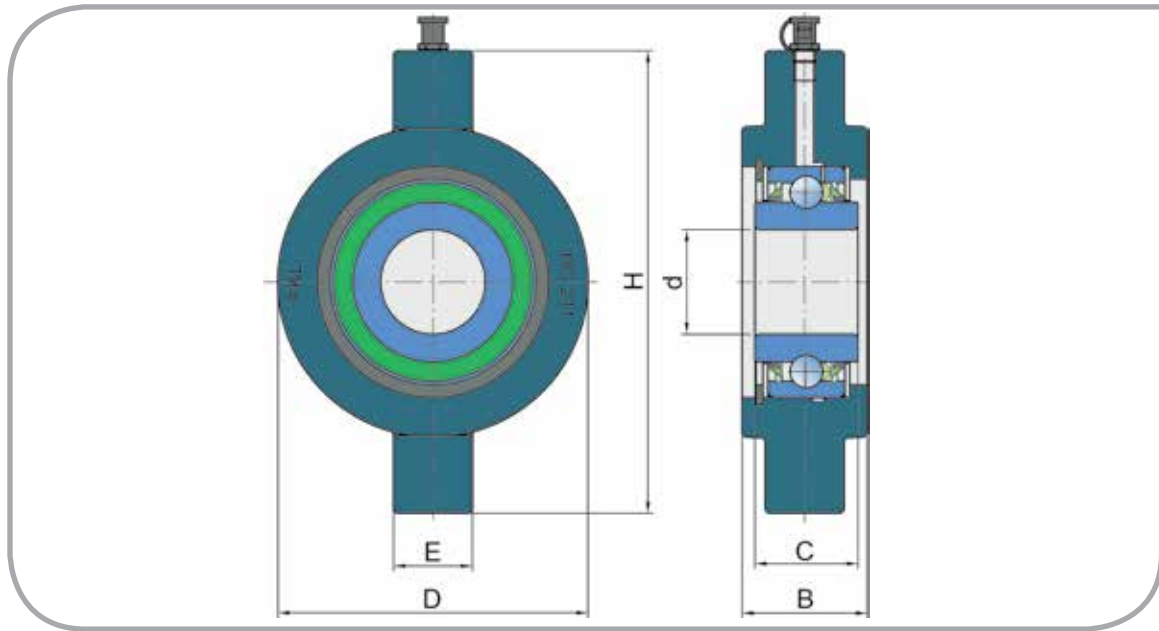
GWHG 211PP25

FKL **GWHG211PP25**

CHALLENGER SN30390

LANDOLL 140477

SUNFLOWER SN3090



FKL

www.fkl-iberica.com

Dimensiones (mm)

d	B	H	D	E	C	kg
45,212	54	200	134	34	44,5	4,88